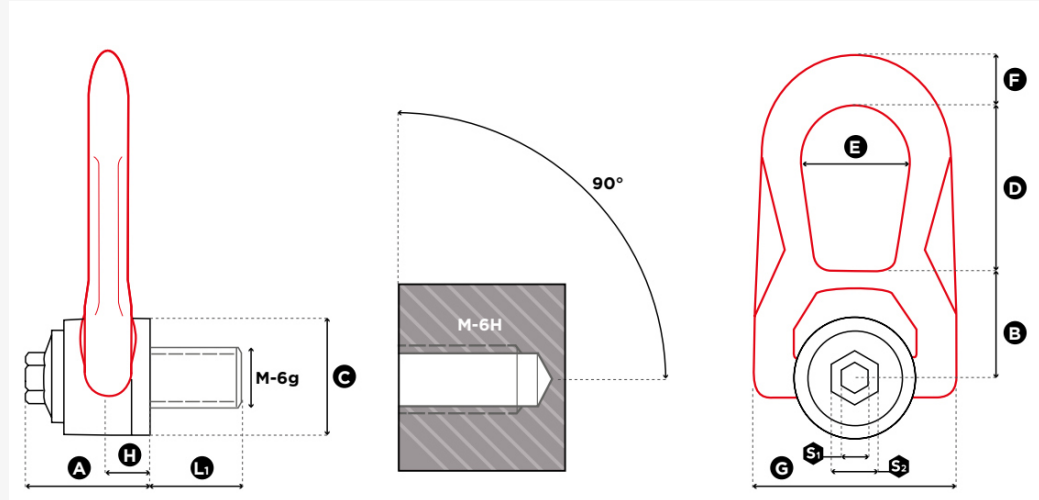


ANNEAU A DOUBLE ARTICULATION



1 in = 25.4 mm

| Reference | Diameter | SF 5:1 WLL (t) | SF 4:1 WLL (t) | Standard L ₁ (mm) | Torque (Nm) | S ₁ (mm) | S ₂ (mm) | A (mm) | B (mm) | C (mm) | D (mm) | E (mm) | F (mm) | G (mm) | H (mm) | Weight (kg) |
|-----------------|--------------|----------------------|----------------------|------------------------------------|----------------|------------------------|------------------------|-----------|-----------|-----------|-----------|-----------|-----------|-----------|-----------|----------------|
| DSR M 5 UP | M 5 (x0,8) | 0,07 | 0,10 | 15 | 3 | 8 | 16 | 33 | 30 | 30 | 38 | 27 | 14 | 53 | 9,5 | 0,3 |
| DSR M 6 UP | M 6 (x1) | 0,15 | 0,20 | 15 | 4 | 8 | 16 | 33 | 30 | 30 | 38 | 27 | 14 | 53 | 9,5 | 0,3 |
| DSR M 8 UP | M 8 (x1,25) | 0,40 | 0,50 | 15 | 6 | 8 | 16 | 33 | 30 | 30 | 38 | 27 | 14 | 53 | 9,5 | 0,3 |
| DSR M 10 UP | M 10 (x1,5) | 0,70 | 0,90 | 18 | 10 | 8 | 16 | 33 | 30 | 30 | 38 | 27 | 14 | 53 | 9,5 | 0,3 |
| DSR M 12 UP | M 12 (x1,75) | 1,05 | 1,30 | 21 | 15 | 8 | 16 | 33 | 30 | 30 | 38 | 27 | 14 | 53 | 9,5 | 0,3 |
| DSR M 14 UP | M 14 (x2) | 1,40 | 1,80 | 23 | 30 | 8 | 20 | 45 | 40 | 45 | 53 | 38 | 17 | 76 | 13 | 0,9 |
| DSR M 16 UP | M 16 (x2) | 2,00 | 2,30 | 27 | 50 | 8 | 20 | 45 | 40 | 45 | 53 | 38 | 17 | 76 | 13 | 0,9 |
| DSR M 18 UP | M 18 (x2,5) | 2,30 | 2,30 | 27 | 70 | 8 | 20 | 45 | 40 | 45 | 53 | 38 | 17 | 76 | 13 | 0,9 |
| DSR M 20 2t5 UP | M 20 (x2,5) | 2,50 | 2,50 | 30 | 100 | 8 | 20 | 45 | 40 | 45 | 53 | 38 | 17 | 76 | 13 | 0,9 |
| DSR M 20 3t2 UP | M 20 (x2,5) | 2,90 | 3,20 | 25 | 100 | 14 | 24 | 62 | 55 | 60 | 83 | 55 | 25 | 115 | 19 | 2,6 |
| DSR M 22 UP | M 22 (x2,5) | 3,50 | 4,50 | 33 | 120 | 14 | 24 | 62 | 55 | 60 | 83 | 55 | 25 | 115 | 19 | 2,6 |
| DSR M 24 UP | M 24 (x3) | 4,40 | 5,50 | 36 | 160 | 14 | 24 | 62 | 55 | 60 | 83 | 55 | 25 | 115 | 19 | 2,6 |
| DSR M 27 UP | M 27 (x3) | 5,70 | 6,00 | 40 | 200 | 14 | 24 | 62 | 55 | 60 | 83 | 55 | 25 | 115 | 19 | 2,7 |
| DSR M 30 6t3 UP | M 30 (x3,5) | 6,00 | 6,30 | 45 | 250 | 14 | 24 | 62 | 55 | 60 | 83 | 55 | 25 | 115 | 19 | 2,7 |
| DSR M 30 8t UP | M 30 (x3,5) | 6,70 | 8,00 | 45 | 250 | 14 | 30 | 80 | 77 | 78 | 98 | 71 | 26 | 141 | 28 | 5,4 |
| DSR M 36 UP | M 36 (x4) | 8,00 | 8,50 | 54 | 320 | 14 | 30 | 80 | 77 | 78 | 98 | 71 | 26 | 141 | 28 | 5,4 |
| DSR M 42 UP | M 42 (x4,5) | 8,50 | 9,00 | 63 | 400 | 14 | 30 | 80 | 77 | 78 | 98 | 71 | 26 | 141 | 28 | 5,5 |